



**US Army Corps  
of Engineers**

Vicksburg District

4155 Clay Street

Vicksburg, MS 39183-3435

www.mvk.usace.army.mil

---

# General Permit

FILE NO.: GENERAL PERMIT 32

EFFECTIVE DATE: September 25, 2019

EXPIRATION DATE: September 25, 2024

**FOR: REGULATED ACTIVITIES IN WATERS OF THE UNITED STATES  
ASSOCIATED WITH THE CONSTRUCTION OF MINOR DRAINAGE  
AND WATER LEVEL CONTROL STRUCTURES**

**WHERE: REGULATORY JURISDICTION OF THE VICKSBURG DISTRICT IN  
ARKANSAS, LOUISIANA, AND MISSISSIPPI**

**BY WHOM: DISTRICT ENGINEER, VICKSBURG DISTRICT, ON BEHALF OF THE  
PUBLIC**

The U.S. Army Corps of Engineers (USACE), Vicksburg District, is hereby reissuing a Department of the Army General Permit (General Permit 32), for discharges of dredged and/or fill material in waters of the United States, associated with construction of minor drainage and water level control structures. Widely used drainage and water control structures include, but are not limited to, cantilever overfall pipes, drop inlet structures, water level control structures, and grade and erosion control structures. Attached is a map of the Regulatory boundary of the Vicksburg District (enclosure 1) and typical construction drawings (enclosure 2).

This action is being taken pursuant to Federal regulations printed in the Federal Register on November 13, 1986, concerning permits for activities in waters of the United States (U.S.). These regulations state the U.S. Army Corps of Engineers' responsibility for regulating structures or work in or affecting waters of the United States under Section 10 of the Rivers and Harbors Act of 1899 (30 Stat. 1151; 33 U.S.C. 403); and discharges of dredged and/or fill material into waters of the United States under Section 404 of the Clean Water Act (33 U.S.C. 1344).

General Permits may be issued for a category or categories of activities when: (1) those activities are substantially similar in nature and cause only minimal individual and cumulative environmental impacts; or (2) the General Permit would result in avoiding unnecessary duplication of the regulatory control exercised by another Federal, State, or local agency, provided it has been determined that the environmental consequences of the action are individually and cumulatively minimal. The final

decision regarding a determination that the proposed activities comply with the requirements for issuance of General Permits was made using information that is available for inspection at the offices of the Vicksburg District's Regulatory Branch at 4155 Clay Street, Vicksburg, Mississippi.

This General Permit contains certain limitations intended to protect the environment and natural and cultural resources. Construction activities which include regulated work and/or discharges of dredged or fill material into Section 10/404 or Section 404 regulated Waters of the United States (collectively hereafter referred to as: WOTUS) which are not specifically authorized by this General Permit are prohibited unless specifically approved by the District Engineer via separate authorization. Conformance with conditions contained in the General Permit does not necessarily guarantee authorization under this General Permit. In cases where the District Engineer considers it necessary, an application for an individual permit will be required.

In compliance with requirements of Section 401 of the Clean Water Act, the Vicksburg District has obtained water quality certifications (WQCs) from the Arkansas Department of Environmental Quality, Louisiana Department of Environmental Quality and Mississippi Department of Environmental Quality. A copy of the Arkansas, Louisiana, and Mississippi water quality certifications is attached (enclosure 3).

Authorization to conduct work under this General Permit does not negate the responsibility of the applicant to obtain other State or local authorizations or permits required by law for the proposed activity.

**REQUEST FOR AUTHORIZATION UNDER GENERAL PERMIT 32 – APPLICATION REQUIREMENTS:** IN ORDER TO BE AUTHORIZED BY THIS GENERAL PERMIT, PARTIES PROPOSING THE WORK ARE REQUIRED TO SUBMIT TO THE DISTRICT ENGINEER, IN WRITING, THE FOLLOWING INFORMATION IN 8 ½ x 11 INCH FORMAT AT LEAST 60 DAYS PRIOR TO THE PLANNED START DATE OF THE WORK:

- a. State the number of the General Permit under which the work will be conducted. (General Permit 32)
- b. Statement that the work will be conducted in compliance with the terms and conditions of General Permit 32 and will not adversely impact adjoining properties.
- c. A location description including: latitude and longitude; Section, Township, Range; County or Parish, and State; a plan-view (including a digital aerial overlay), and location map showing the proposed worksite.
- d. Estimated starting and completion dates of the project.

- e. Name, mailing address, telephone number, and email address of the party (person and agency) applying for authorization.
- f. A description of the proposed activity and its purpose, including:
  - 1. drawings (plan and profile) of the proposed structure with elevations
  - 2. indication of the ordinary high water mark (when available)
  - 3. dimensions (in feet), total area impacted (in acres for wetlands; in both acres and linear feet for streams)
  - 4. amounts of excavated and fill material (in cubic yards)
- g. A delineation of wetlands, other special aquatic sites, and other waters, such as lakes and ponds, and perennial, intermittent, and ephemeral streams, on the project site. Wetland delineations will be prepared in accordance with the current method required by the Corps. The applicant may ask the Corps to delineate the special aquatic sites, including wetlands, and other waters on the project site, but there may be a delay if the Corps does the delineation, especially if the project site is large or contains many waters of the United States. Furthermore, the application evaluation period will not start until the delineation has been submitted by the applicant or completed by the Corps, as applicable.
- h. An informational narrative and/or list detailing:
  - 1. individual aquatic resource impacts (in acres for wetlands; in acres and linear feet for streams)
  - 2. total quantity of impacts for each resource type (e.g. emergent wetland, forested wetland, intermittent stream, etc.)
  - 3. all impact activities (discharge of dredged and/or fill material, conversion, etc.), impact duration (temporary or permanent)
  - 4. the latitude/longitude (approximate center point) for each impact
  - 5. current site photos representative of the WOTUS to be impacted

[NOTE: An Aquatic Resources Identification and Impacts Spreadsheet is available for use on the Vicksburg District's Regulatory Web Page]:

<https://www.mvk.usace.army.mil/Missions/Regulatory/Permits/>

- i. A narrative describing how impacts to WOTUS were minimized to the maximum extent practicable. For projects that include adverse impacts to WOTUS, the complete application shall include information on mitigation in all forms (i.e. avoidance, minimization, and compensation).

For projects with unavoidable adverse functional impacts greater than 0.10 acre to wetlands or greater than 300 linear feet of streams, the complete application shall include a statement describing: how, if required, the compensatory mitigation requirement will be satisfied (either through purchase of mitigation credits from an approved mitigation bank or "in lieu fee" provider, or through permittee responsible



mitigation); or explaining why the project-specific adverse effects are no more than minimal and why compensatory mitigation should not be required. As an alternative, the prospective permittee may submit a conceptual or detailed mitigation plan. If the applicant proposes permittee responsible mitigation, the application will not be considered complete until the Corps receives an acceptable permittee responsible mitigation plan.

[NOTE: Information on the Vicksburg District's current mitigation requirements is available on the MVK Regulatory Web Page]:

<https://www.mvk.usace.army.mil/Missions/Regulatory/Mitigation/>

- j. If another Federal agency is involved in the project through technical assistance, funding/grants, or other means: identify the agency; briefly describe the involvement of the agency; and provide a point of contact (name, phone number and email address).
- k. A description of the Best Management Practices (BMPs) that will be used to minimize movement of disturbed soil(s) from the construction into adjacent WOTUS.
- l. The name(s) of those federally listed threatened or endangered species that may be affected by the proposed work or that may utilize the designated critical habitat that may be affected by the proposed work. The Service's public-facing website, Information for Planning and Consultation (IPaC) is available at <https://ecos.fws.gov/ipac/>.
- m. For an activity that may affect a historic property listed on, determined to be eligible for listing on, or potentially eligible for listing on, the National Register of Historic Places, the application will state which historic property may be affected by the proposed work or include a vicinity map indicating the location of the historic property.
- n. For work proposed: on or adjacent to any stream in a component of a National Wild and Scenic Rivers System or in a component of a State Natural and Scenic Rivers System; on a property/area owned or managed by a State or Federal natural resource agency (e.g. wildlife management areas, national wildlife refuges, national forests, etc.), the applicant must submit with their request for authorization under this General Permit, the agency point of contact (including phone number, mailing address, and email address) and proof of initiation of the applicant's request for approval from the managing agency.
- o. For activities affecting structures or works built by the United States: If a General Permit 32 activity also requires permission from the Corps pursuant to 33 U.S.C. 408 because it will alter or temporarily or permanently occupy or use a USACE Federally authorized Civil Works project, the application must include a statement

(and any associate documents) confirming that the project applicant has submitted a written request for Section 408 permission to the Vicksburg District office having jurisdiction over that USACE project.

Special Conditions:

1. The authorized structures shall not extend into the channel of the receiving stream so as to interfere with navigation (including recreational boating) or adversely affect the flow-carrying capacity of the receiving stream.
2. The pipe structure shall be covered with at least 1.5 feet of fill material.
3. The amount of material used for fill shall not exceed 1,000 cubic yards.
4. Best management practices shall be used to prevent off-site movement of disturbed soils. The fill material shall be compacted upon completion of construction. The site shall be revegetated by sod, seed, or another acceptable method, as necessary, to restore cover and prevent erosion. In areas subject to currents, riprap could be used for slope protection.
5. Material used for fill shall be obtained from onsite and/or offsite upland sources. Additional material shall not be obtained from WOTUS or any area that will affect an adjacent WOTUS.
6. No activity that has the potential to cause effects to properties listed, or eligible for listing, in the National Register of Historic Places, or a site that has previously been unevaluated, could be authorized by this General Permit until the requirements of Section 106 of the National Historic Preservation Act have been satisfied. Additional fill material should not be taken from a known historical or archaeological site within or outside of regulated areas. If the permittee, during prosecution of work authorized herein, inadvertently discovers or accidentally destroys a cultural resource such as a cemetery, shipwreck, mound, historic structure, or archaeological site, within the area subject to Department of the Army jurisdiction, they must cease work in the immediate area and notify the District Engineer within 24 hours. The District Engineer, in consultation with the appropriate State Historic Preservation Officer and the Federally recognized Tribe, shall comply with the procedures set forth in 33 CFR 325, Appendix C, paragraph 11 (Historic Properties Discovered During Construction).
7. Authorized structures shall not increase the frequency, duration, or elevation of floodwaters on adjoining property. This General Permit does not authorize the construction of greentree reservoirs.

8. If damage to a revetment were to occur as a result of work in accordance with this General Permit, the permittee is required to make necessary repairs at their own expense. These repairs should meet specifications designated by the District Engineer.
9. Activities shall not be authorized for work proposed on or adjacent to any stream in a component of a National Wild and Scenic Rivers System or in a component of a State Natural and Scenic Rivers System, without the appropriate Federal or State authorization.
10. The regulated activity shall not occur in a Coastal Zone Management Area without the appropriate State authorization indicating concurrence that the activity is consistent with the State's Coastal Program (as per the provisions of the Coastal Zone Management Act). The coastal zone concurrence shall be submitted with the request for authorization under this General Permit. Therefore, in order to be authorized by this General Permit for work in Hancock County, Mississippi, or St. Tammany Parish, Louisiana, persons planning work in these coastal areas should first send complete plans to the appropriate State agency at the applicable address below:

Mississippi Department of Marine Resources  
1141 Bayview Avenue  
Suite 101  
Biloxi, Mississippi 39530

Louisiana Department of Natural Resources  
Office of Coastal Management  
Post Office Box 44487  
Baton Rouge, Louisiana 70804-4487

11. Dredged, excavated, or fill material used for construction shall be nonpolluting material in accordance with the Environmental Protection Agency Guidelines for the Discharge of Dredged or Fill Material found in 40 CFR 230.
12. All construction activities shall be performed in a manner that will minimize increased suspended sediment/turbidity of the water in the work area and downstream, and otherwise avoid adverse effects on water quality and aquatic life, especially during fish spawning seasons.
13. All excavated material not used as backfill shall be placed in a non-jurisdictional area (i.e., upland) unless specifically approved via separate authorization. If dredged material is placed in an upland contained disposal area and return water discharged back into waters of the United States, a separate Department of the Army authorization could be required (See Nationwide Permit No. 16).

14. The discharge shall not be placed so that it will adversely affect a public water supply intake or a national fish hatchery intake.
15. The discharge shall not contain unacceptable levels of pathogenic organisms in areas used for activities involving physical contact with the water.
16. The discharge shall not occur in areas of concentrated shellfish production.
17. No activity is authorized under this General Permit which is likely to directly or indirectly jeopardize the continued existence of a federally listed threatened or endangered species or a species proposed for such designation, as identified under the Endangered Species Act (ESA), or which will directly or indirectly destroy or adversely modify the critical habitat of such species. No activity shall be authorized under this General Permit which "may affect" a listed species or critical habitat, unless Section 7 consultation addressing the effects of the proposed activity has been completed.
18. Activities in WOTUS that serve as breeding areas for migratory birds must be avoided to the maximum extent practicable. The permittee is responsible for obtaining any "take" permits required under the U.S. Fish and Wildlife Service's regulations governing compliance with the Migratory Bird Treaty Act or the Bald and Golden Eagle Protection Act. The permittee should contact the appropriate local office of the U.S. Fish and Wildlife Service to determine if such "take" permits are required for a particular activity.
19. The construction activity shall not result in the relocation or blockage of a natural stream or river channel or adversely impact or drain wetlands. Weirs and/or water control structures shall be constructed in a manner that the overfall (full width or notched) is fixed at a minimum of 6 inches below the ordinary high water mark of the waterbody. On a case-specific basis, a secondary outlet source may be required. When required, the secondary outlet source shall be constructed within the flowline of the waterbody, remain open during non-operational periods, and be constructed in a manner that allows free flow at low water stages.
20. No activity shall substantially disrupt the necessary life cycle movements of those species of aquatic life indigenous to the waterbody, including those species that normally migrate through the area, unless the activity's primary purpose is to impound water.
21. No sewage, oil, refuse, or other pollutants shall be discharged into the waterbody.

22. Projects located on property encumbered by a Natural Resources Conservation Service (NRCS) Wetlands Reserve Program (WRP) easement are not authorized without written release/approval from the NRCS. Under such situations, the application is not considered complete until the Corps is provided written documentation of release/approval from the agreement by the NRCS.
23. Activities are not authorized on a property/area managed by a State or Federal natural resource agency (e.g. wildlife management areas, national wildlife refuges, national forests, etc.) without documented approval (e.g. special use permit, waiver, etc.) by the managing agency.
24. Authorizations for this General Permit shall not be granted to an applicant who is in noncompliance with a Department of the Army permit until such noncompliance has been resolved.
25. Conditions on the water quality certifications issued from the State in which the work is proposed shall be incorporated by reference. Enforcement actions resulting from noncompliance with these conditions could be initiated by the State or the Environmental Protection Agency.
26. The permittee shall return a Certification of Compliance after completing construction of the authorized activity.

General Conditions:

- A. The activity authorized by the permit shall be maintained in good condition and in conformance with the terms and conditions of the permit. The permittee is not relieved of this requirement if the permitted activity is abandoned. However, a good faith transfer to a third party in compliance with General Condition "b.", below, is acceptable. Should the permittee desire to abandon the authorized activity without a good faith transfer, or should the permittee wish to cease to maintain the authorized activity, the permittee shall obtain a modification of the authorization from this office, which could require restoration of the area.
- B. If the property associated with the authorization under General Permit 32 is sold, the permittee shall notify this office to ensure that the authorization is transferred to the new owner.
- C. Representatives from this office shall be allowed to inspect the authorized activity at any time deemed necessary to ensure that it is being, or has been, accomplished in accordance with the terms and conditions of your permit.



- D. This permit does not obviate the need to obtain other Federal, State, or local authorizations required by law.
- E. This permit does not grant any property rights or exclusive privileges.
- F. This permit does not authorize any injury to the property or rights of others.
- G. An activity that requires Section 408 permission because it will alter or temporarily or permanently occupy or use a USACE federally authorized Civil Works project (Activities Affecting Structures or Works Built by the United States, 33 U.S.C. 408) shall not be authorized by General Permit 32 until the appropriate Corps office issues the Section 408 permission to alter, occupy, or use the USACE Civil Works project, and the District Engineer issues a written General Permit 32 authorization.
- H. In issuing this permit, the Federal Government does not assume any liability for the following:
  - 1) Damages to the permitted project, or uses thereof, as a result of other permitted or unpermitted activities or from natural causes.
  - 2) Damages to the permitted project or uses thereof as a result of current or future activities undertaken by, or on behalf of, the United States in the public interest.
  - 3) Damages to persons, property, or to other permitted or unpermitted activities or structures caused by the activity authorized by this permit.
  - 4) Design or construction deficiencies associated with the permitted work.
  - 5) Damage claims associated with any future modification, suspension, or revocation of this permit.
- I. In issuing individual authorization under General Permit 32, the Government shall rely on the information and data, which the permittee provides in connection with the permit application. If, subsequent to the authorization, such information and data prove to be false, incomplete, or inaccurate, this authorization may be modified, suspended, or revoked, in whole or in part, and/or the Government may, in addition, institute appropriate legal proceedings.
- J. The permittee shall immediately notify the Corps of any unforeseen activities, including emergency activities, that are directly or indirectly associated with the authorized activity and that may require separate authorization.

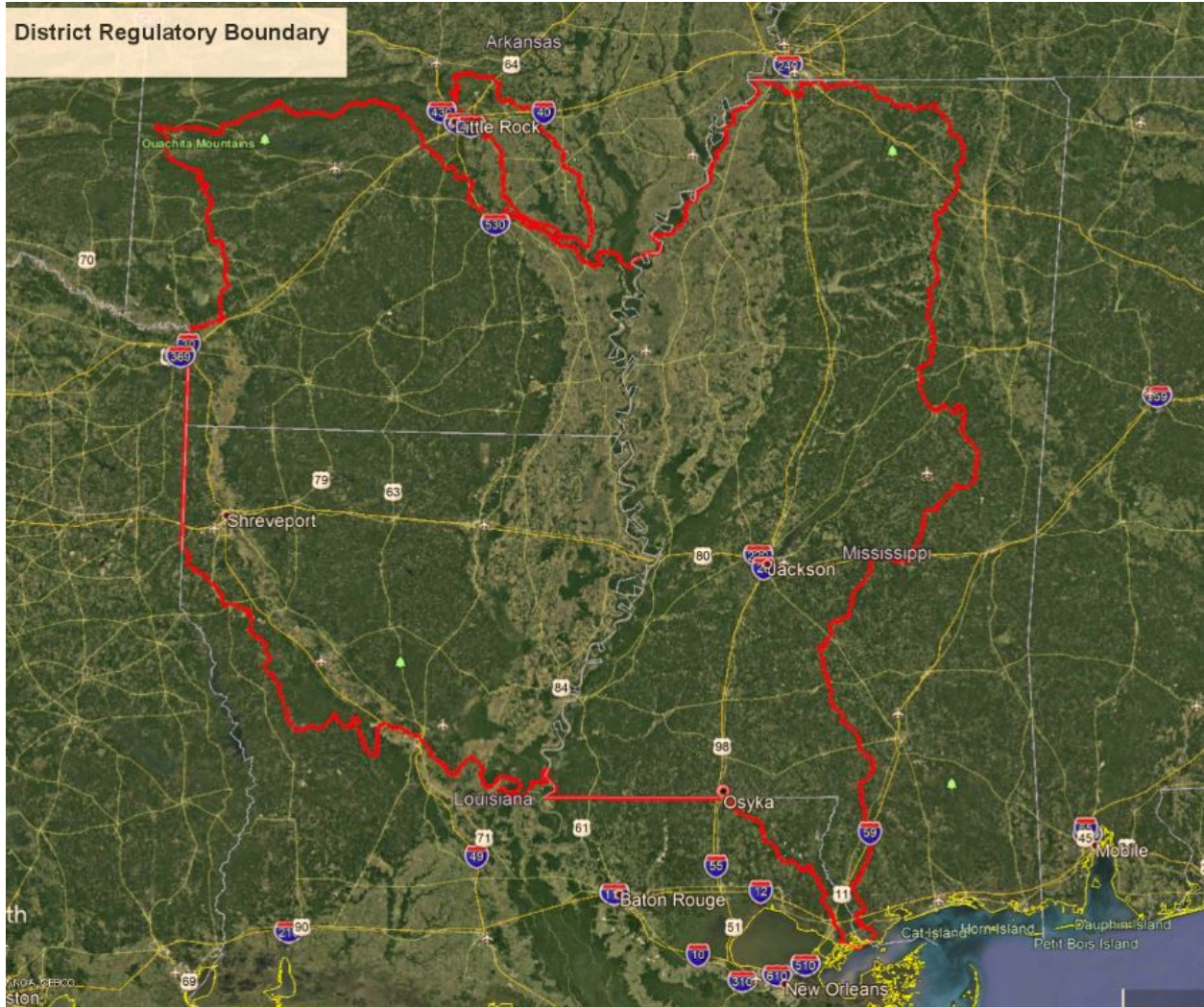
- K. General Permit 32 is valid for five years from the date of issuance. At the end of that time, the cumulative environmental effects of completed work will be reviewed and reissuance of the permit may be considered. However, if unforeseen adverse environmental effects result from the issuance of this General Permit, it may be modified or terminated at any time.
  
- L. Authorization under General Permit 32 is valid until the General Permit expires. Activities which are under construction, or that are under contract to commence in reliance upon this General Permit, is authorized provided the activity is completed within 12 months of the date of the authorization.



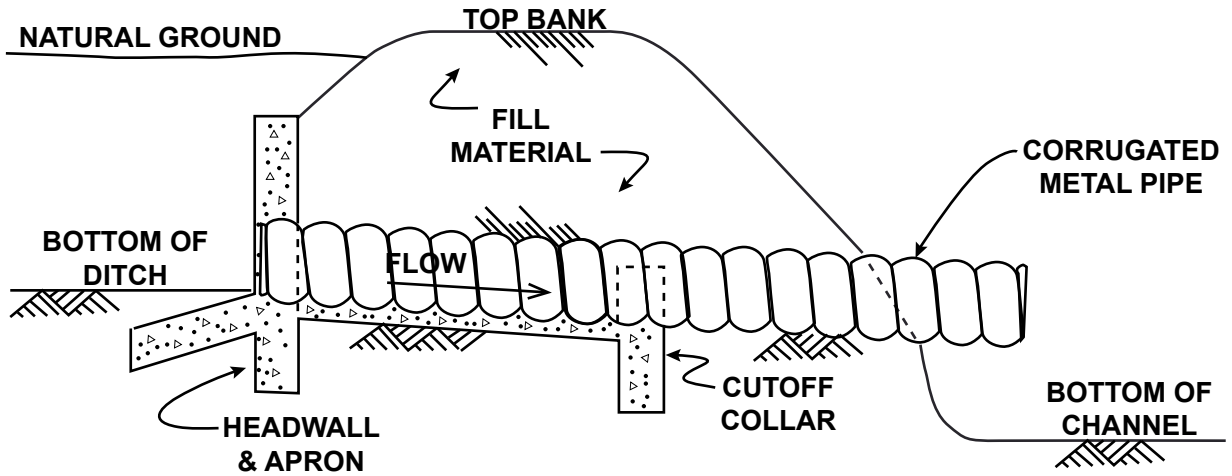
Cori Carraway  
Acting Chief, Regulatory Branch

Enclosures

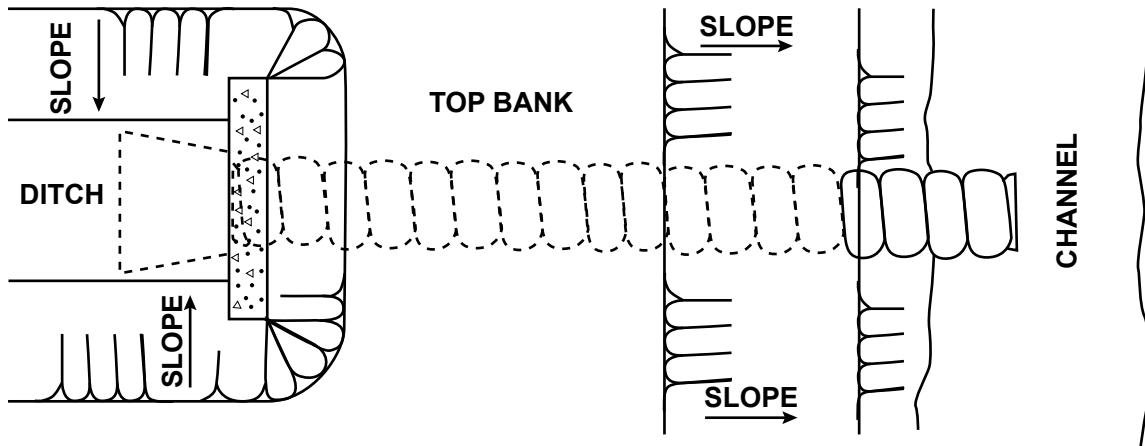
# USACE Vicksburg District Boundary Map



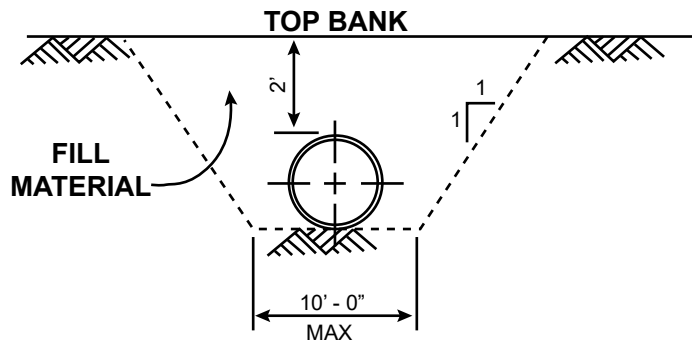
# TYPICAL OVERFALL PIPE

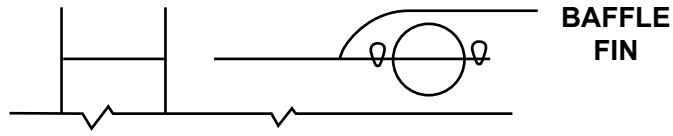


**ELEVATION VIEW**  
NO SCALE

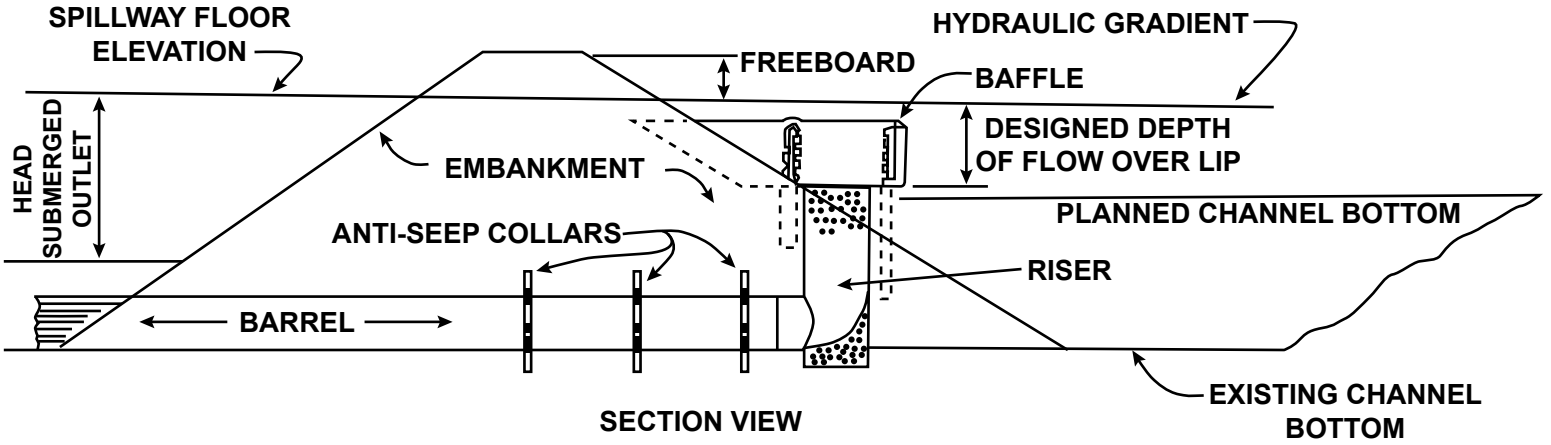


**PLAN VIEW**  
NO SCALE



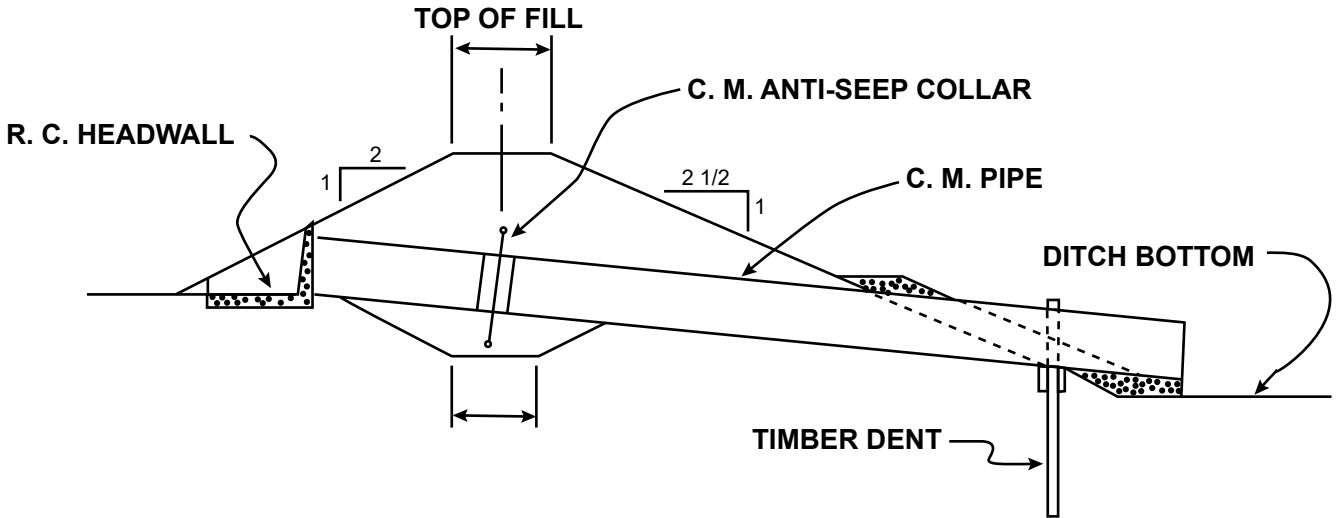


PLAN VIEW OF BAFFLE AND RISER



DROP INLET STRUCTURE

NO SCALE



SECTION ALONG CENTERLINE  
GRADE CONTROL STRUCTURE





May 2, 2019

Colonel Michael C. Derosier, District Commander  
U.S. Army Corps of Engineers  
4155 Clay Street  
Vicksburg, MS 39183-3435

RE: 401 Water Quality Certification **MVK-2019-263**- Re-issuance of General Permit 32

Dear Colonel Derosier:

The Arkansas Department of Environmental Quality ("ADEQ") has completed review of the above referenced public notice for the re-issuance of the U.S. Army Corps of Engineers General Permit 32 for the State of Arkansas. General Permit 32 authorizes the construction of minor drainage and water level control structures.

ADEQ has determined that there is a reasonable assurance that this activity will be conducted in a manner which, according to the Arkansas Pollution Control and Ecology Commission's Regulation No.2, will not physically alter a significant segment of the waterbody and will not permanently violate the water quality criteria.

Pursuant to §401(a)(1) of the Clean Water Act, the ADEQ hereby issues water quality certification for this project: **MVK-2019-263**, contingent upon the following conditions:

1. Individual Water Quality Certification requests must be submitted to ADEQ for any activity impacting Extraordinary Resource Waters, Ecologically Sensitive Waters, and Natural and Scenic Waters as identified in Regulation No. 2.
2. The applicant shall contact ADEQ for a Short Term Activity Authorization needs determination for activities that have the potential to violate water quality criteria.
3. If a construction site will disturb equal to or greater than one (1) acre and less than five (5) acres, the applicant shall comply with the requirements in Reg. 6.203 for Stormwater discharge associated with a small construction site, as defined in APC&EC Regulation No. 6. If the construction site will disturb five (5) acres or more, the applicant shall comply with the terms of the Stormwater Construction General Permit Number ARR150000 prior to the start of construction. BMPs must be implemented regardless of the size. More information can be obtained by contacting the NPDES Stormwater Section of ADEQ at (501) 682-0621.

In issuing this certification, ADEQ does not assume any liability for the following:

- A. Damages to the proposed project, or uses thereof, as a result of other permitted or unpermitted activities or from natural causes.
- B. Damages to persons, property, or to other permitted or unpermitted activities or structures caused by the activity specified in this certification.

C. Design or construction deficiencies associated with this proposed project.

Please contact Melanie Treat of the Office of Water Quality at (501) 682-0040 if you have any questions regarding this certification.

Sincerely,



Bryan Leamons, P.E.

Senior Operations Manager, Office of Water Quality

Cc: Jennifer A. Mallard, USACE, [generalpermitreissuance@usace.army.mil](mailto:generalpermitreissuance@usace.army.mil)  
Wanda Boyd, EPA, [boyd.wanda@epa.gov](mailto:boyd.wanda@epa.gov)

JOHN BEL EDWARDS  
GOVERNOR



CHUCK CARR BROWN, PH.D.  
SECRETARY

# State of Louisiana

DEPARTMENT OF ENVIRONMENTAL QUALITY  
ENVIRONMENTAL SERVICES

MAY 01 2019

Ms. Jennifer A. Mallard, Chief  
US Army Corp of Engineers, Vicksburg District  
ATTN: Regulatory Branch  
4155 Clay Street  
Vicksburg, MS 39183-3435

AI No.: 115289  
Activity No.: CER20190001

RE: Renewal of the General Permit 32 (GP-32)  
Regulated Activities in Waters of the United States Associated with the Construction of Minor Drainage  
and Water Level Control Structures  
Water Quality Certification WQC 190416-01  
Corps of Engineers Permit MVK-2019-263

Dear Ms. Mallard:

The Louisiana Department of Environmental Quality, Water Permits Division (LDEQ), has reviewed the application to discharge dredged and/or fill material associated with the construction of minor drainage and water level control structures including but not limited to cantilever outfall pipes, drop inlet structures, water level control structures, and grade and erosion control structures within the regulatory jurisdiction of the Vicksburg District in the State of Louisiana.

The information provided in the application has been reviewed in terms of compliance with State Water Quality Standards, the approved Water Quality Management Plan and applicable state water laws, rules and regulations. LDEQ determined that the requirements for a Water Quality Certification have been met. LDEQ concludes that the discharge of fill will not violate water quality standards as provided for in LAC 33:IX.Chapter 11. Therefore, LDEQ hereby issues the US Army Corp of Engineers, Vicksburg District Water Quality Certification WQC 190416-01 for the General Permit 32.

Should you have any questions concerning any part of this certification, please contact Elizabeth Hill at (225) 219-3225 or by email at [elizabeth.hill@la.gov](mailto:elizabeth.hill@la.gov). Please reference Agency Interest (AI) number 115289 and Water Quality Certification 190416-01 on all future correspondence to this Department to ensure all correspondence regarding this project is properly filed into the Department's Electronic Document Management System.

Sincerely,

A handwritten signature in blue ink, appearing to read "Scott Guilliams".

Scott Guilliams  
Administrator  
Water Permits Division

c: IO-W

RECEIVED MAY 06 2019



STATE OF MISSISSIPPI  
PHIL BRYANT  
GOVERNOR  
MISSISSIPPI DEPARTMENT OF ENVIRONMENTAL QUALITY  
GARY C. RIKARD, EXECUTIVE DIRECTOR

July 3, 2019

Certified Mail No. 7017 0530 0000 5971 6896

Colonel Michael C. Derosier  
U.S. Army Corps of Engineers, Vicksburg District  
4155 Clay Street  
Vicksburg, Mississippi 39183-3435

Dear Colonel Derosier:

Re: US Army COE, Vicksburg  
District, General Permit 32  
Warren County  
COE No. MVK-2019-263  
WQC No. WQC2019016

Pursuant to Section 401 of the Federal Water Pollution Control Act (33 U. S. C. 1251, 1341), the Office of Pollution Control (OPC) issues this Certification, after public notice and opportunity for public hearing, to the U.S. Army Corps of Engineers, Vicksburg District, an applicant for a Federal License or permit to conduct the following activity:

US Army COE, Vicksburg District, General Permit 32: Re-issuance of a Department of the Army General permit for the construction of drainage structures and the associated discharge of dredged and/or fill material into waters of the United States. Widely used drainage structures include, but are not limited to, cantilever overfall pipes, drop inlet structures, water level control structures, and grade and erosion control structures.

This General Permit contains certain limitations intended to protect the environment and natural and cultural resources. Conformance with conditions contained in the General Permit does not necessarily guarantee authorization under this General Permit. In cases where the District Engineer considers it necessary, an application for an individual permit will be required. Construction, dredging, or fill operations not specifically authorized by this General Permit are prohibited unless authorized by a separate permit.

General Permits may be issued for a category or categories of activities when: (1) those activities are substantially similar in nature and cause only minimal individual and cumulative environmental impacts; or (2) the General

Permit would result in avoiding unnecessary duplication of the regulatory control exercised by another Federal, State, or local agency, provided it has been determined that the environmental consequences of the action are individually and cumulatively minimal.

The following must be provided by the applicant in writing in request for authorization under the General Permit:

- a. State the number of the General Permit under which the work will be conducted. (General Permit 32) (GP 32)
- b. Statement that the work will be conducted in compliance with the terms and conditions of GP 32 and will not adversely impact adjoining properties.
- c. A location description including: latitude and longitude; Section, Township, Range; County or Parish, and State; a plan-view (including a digital aerial overlay), and location map showing the proposed worksite.
- d. Estimated starting and completion dates of the project.
- e. Name, mailing address, telephone number, and e-mail address of the party (person and agency) applying for authorization.
- f. A description of the proposed activity and its purpose, including:
  - drawings (plan and profile) of the proposed structure with elevations,
  - indication of the ordinary high water mark (when available),
  - dimensions (in feet), total area impacted (in acres for wetlands; in both acres and linear feet for streams), and
  - amounts of excavated and fill material (in cubic yards).
- g. A delineation of wetlands, other special aquatic sites, and other waters, such as lakes and ponds, and perennial, intermittent, and ephemeral streams, on the project site. Wetland delineations must be prepared in accordance with the current method required by the Corps. The applicant may ask the Corps to delineate the special aquatic sites, including wetlands, and other waters on the project site, but there may be a delay if the Corps does the delineation, especially if the project site is large or contains many waters of the United States. Furthermore, the application evaluation period will not start until the delineation has been submitted by the applicant or completed by the Corps, as applicable.
- h. An informational narrative and/or list detailing:
  - individual aquatic resource impacts (in acres for wetlands; in acres and linear feet for streams),



- total quantity of impacts for each resource type (e.g. emergent wetland, forested wetland, intermittent stream, etc.),
- all impact activities (discharge of dredged and/or fill material, conversion, etc.), impact duration (temporary or permanent),
- the latitude/longitude (approximate centerpoint) for each impact, and,
- current site photos representative of the WOTUS to be impacted.

[NOTE: An Aquatic Resources Identification and Impacts Spreadsheet is available for use on the Vicksburg District's Regulatory Web Page]:  
<https://www.mvk.usace.army.mil/Missions/Regulatory/Permits/>

- i. A narrative describing how impacts to WOTUS were minimized to the maximum extent practicable. For projects that include adverse impacts to WOTUS, the complete application will include information on mitigation in all forms (i.e. avoidance, minimization, and compensation).

For projects with unavoidable adverse functional impacts greater than 0.10 acre to wetlands or greater than 300 linear feet of streams, the complete application will include a statement describing: how, if required, the compensatory mitigation requirement will be satisfied (either through purchase of mitigation credits from an approved mitigation bank or "in lieu fee" provider, or through permittee responsible mitigation); or explaining why the project-specific adverse effects are no more than minimal and why compensatory mitigation should not be required. As an alternative, the prospective permittee may submit a conceptual or detailed mitigation plan. If the applicant proposes permittee responsible mitigation, the application will not be considered complete until the Corps receives an acceptable permittee responsible mitigation plan.

[NOTE: Information on the Vicksburg District's current mitigation requirements is available on the MVK Regulatory Web Page]:  
<https://www.mvk.usace.army.mil/Missions/Regulatory/Mitigation/>

- j. If another Federal agency is involved in the project through technical assistance, funding/grants, or other means: identify the agency; briefly describe the involvement of the agency; and provide a point of contact (name, phone number and email address).
- k. A description of the Best Management Practices that will be used to minimize movement of disturbed soil(s) from the construction into adjacent WOTUS.
- l. For non-Federal permittees, if any listed species or designated critical habitat might be affected or is in the vicinity of the activity, or if the

activity is located in designated critical habitat, the application must include the name(s) of those endangered or threatened species that might be affected by the proposed activity or utilize the designated critical habitat that might be affected by the proposed activity. Federal permittees must provide documentation demonstrating compliance with the Endangered Species Act.

- m. For non-Federal permittees, if the activity might have the potential to cause effects to a historic property listed on, determined to be eligible for listing on, or potentially eligible for listing on, the National Register of Historic Places, the application must state which historic property might have the potential to be affected by the proposed activity or include a vicinity map indicating the location of the historic property. Federal permittees must provide documentation demonstrating compliance with section 106 of the National Historic Preservation Act.
- n. For work proposed: on or adjacent to any stream in a component of a National Wild and Scenic Rivers System or in a component of a State Natural and Scenic Rivers System; on a property/area owned or managed by a State or Federal natural resource agency (e.g. wildlife management areas, national wildlife refuges, national forests, etc.), the applicant must submit with their request for authorization under this General Permit, the agency point of contact (including phone number, mailing address, and email address) and proof of initiation of the applicant's request for approval from the managing agency.
- o. For activities affecting structures of works built by the United States: If a GP 32 activity also requires permission from the Corps pursuant to 33 U.S.C. 408 because it will alter or temporarily or permanently occupy or use a USACE Federally authorized Civil Works project, the application must include a statement (and any associate documents) confirming that the project applicant has submitted a written request for Section 408 permission to the Vicksburg District office having jurisdiction over that USACE project.

Upon receipt of this information, the District Engineer will evaluate the proposal and advise the inquiring party, in writing, that the work could be authorized under General Permit 32; or would require an individual permit (if it exceeds the authoritative capacity of the General Permit) and/or additional separate authorizations.

Special Conditions:

- 1. The authorized structures would not extend into the channel of the receiving stream so as to interfere with navigation (including

recreational boating) or adversely affect the flow-carrying capacity of the receiving stream.

2. The pipe structure would be covered with at least 1.5 feet of fill material.
3. The amount of material used for fill would not exceed 1,000 cubic yards.
4. Best management practices would be used to prevent off-site movement of disturbed soils. The fill material would be compacted upon completion of construction. The site would be revegetated by sod, seed, or another acceptable method, as necessary, to restore cover and prevent erosion. In areas subject to currents, riprap could be used for slope protection.
5. Material used for fill would be obtained from onsite and/or offsite upland sources. Additional material would not be obtained from WOTUS or any area which would affect an adjacent WOTUS.
6. No activity that has the potential to cause effects to properties listed, or eligible for listing, in the National Register of Historic Places, or a site that has previously been unevaluated, could be authorized by this General Permit until the requirements of Section 106 of the National Historic Preservation Act have been satisfied. Additional fill material could not be taken from a known historical or archaeological site within or outside of regulated areas. If the permittee, during prosecution of work authorized herein, inadvertently discovers or accidentally destroys a cultural resource such as a cemetery, shipwreck, mound, historic structure, or archaeological site, within the area subject to Department of the Army jurisdiction, they would cease work in the immediate area and notify the District Engineer within 24 hours. The District Engineer, in consultation with the appropriate State Historic Preservation Officer and the Federally recognized Tribe, would comply with the procedures set forth in 33 CFR 325, Appendix C, paragraph 11 (Historic Properties Discovered During Construction).
7. Authorized structures would not increase the frequency, duration, or elevation of floodwaters on adjoining property. This General Permit would not authorize the construction of greentree reservoirs.
8. If damage to a revetment were to occur as a result of work in accordance with this General Permit, the permittee would be required

to make necessary repairs at their own expense. These repairs must meet specifications designated by the District Engineer.

9. Activities would not be authorized for work proposed on or adjacent to any stream in a component of a National Wild and Scenic Rivers System or in a component of a State Natural and Scenic Rivers System, without the appropriate Federal or State authorization.
10. The regulated activity would not occur in a Coastal Zone Management Area without the appropriate State authorization indicating concurrence that the activity would be consistent with the State's Coastal Program (as per the provisions of the Coastal Zone Management Act). The coastal zone concurrence would be submitted with the request for authorization under this General Permit. Therefore, in order to be authorized by this General Permit for work in Hancock County, Mississippi, or St. Tammany Parish, Louisiana, persons planning work in these coastal areas would first send complete plans to the appropriate State agency at the applicable address below:

Mississippi Department of Marine Resources  
1141 Bayview Avenue  
Suite 101  
Biloxi, Mississippi 39530

Louisiana Department of Natural Resources  
Office of Coastal Management  
Post Office Box 44487  
Baton Rouge, Louisiana 70804-4487

11. Dredged, excavated, or fill material used for construction would be nonpolluting material in accordance with the Environmental Protection Agency Guidelines for the Discharge of Dredged or Fill Material found in 40 CFR 230.
12. All construction activities would be performed in a manner that would minimize increased suspended sediment/turbidity of the water in the work area and downstream, and otherwise avoid adverse effects on water quality and aquatic life, especially during fish spawning seasons.
13. All excavated material not used as backfill would be placed in a non-jurisdictional area (i.e., upland) unless specifically approved via separate authorization. If dredged material would be placed in an upland contained disposal area and return water discharged back into

waters of the United States, a separate Department of the Army authorization would be required (See Nationwide Permit No. 16).

14. The discharge would not be located so as to adversely affect a public water supply intake or a national fish hatchery intake.
15. The discharge would not contain unacceptable levels of pathogenic organisms in areas used for activities involving physical contact with the water.
16. The discharge shall not occur in areas of concentrated shellfish production.
17. No activity shall be authorized under this General Permit which would likely to directly or indirectly jeopardize the continued existence of a Federally-listed threatened or endangered species or a species proposed for such designation, as identified under the Federal Endangered Species Act (ESA), or which would directly or indirectly destroy or adversely modify the critical habitat of such species. No activity would be authorized under this General Permit which “may affect” a listed species or critical habitat, unless Section 7 consultation addressing the effects of the proposed activity has been completed.
18. Activities in WOTUS that would impact known wading bird rookeries would be avoided to the maximum extent practicable. The permittee would be responsible for obtaining any “take” permits required under the U.S. Fish and Wildlife Service’s regulations governing compliance with the Migratory Bird Treaty Act or the Bald and Golden Eagle Protection Act. The permittee would be advised to contact the appropriate local office of the U.S. Fish and Wildlife Service to determine if such “take” permits are required for the activity.
19. The construction activity would not result in the relocation or blockage of a natural stream or river channel or adversely impact or drain wetlands. Weirs and/or water control structures would be constructed in a manner that the overfall (full width or notched) is fixed at a minimum of 6 inches below the ordinary high water mark of the waterbody. On a case-specific basis, a secondary outlet source could be required. When required, the secondary outlet source would be constructed within the flowline of the waterbody, remain open during non-operational periods, and be constructed in a manner that allows free flow at low water stages.



20. No activity would substantially disrupt the necessary life cycle movements of those species of aquatic life indigenous to the waterbody, including those species that normally migrate through the area, unless the activity's primary purpose is to impound water.
21. No sewage, oil, refuse, or other pollutants shall be discharged into the waterbody.
22. Projects located on property encumbered by a Natural resources Conservation Service (NRCS) Wetlands Reserve Program (WRP) easement would not be authorized without written release/approval from the NRCS. Under such situations, the application would not be considered complete until the Corps is provided written documentation of release/approval from the agreement by the NRCS.
23. Activities would not be authorized on a property/area managed by a State or Federal natural resource agency (e.g. wildlife management areas, national wildlife refuges, national forests, etc.) without documented approval (e.g. special use permit, waiver, etc.) by the managing agency.
24. Authorizations for this General Permit would not be granted to an applicant who is in noncompliance with a Department of the Army permit until such noncompliance has been resolved.
25. Conditions on the water quality certifications issued from the State in which the work is proposed shall be incorporated by reference. Enforcement actions resulting from noncompliance with these conditions could be initiated by the State or the Environmental Protection Agency.
26. The permittee would return a Certification of Compliance after completing construction of the authorized activity.

The Office of Pollution Control certifies that the above-described activity will be in compliance with the applicable provisions of Sections 301, 302, 303, 306, and 307 of the Federal Water Pollution Control Act and Section 49-17-29 of the Mississippi Code of 1972, if the applicant complies with the following conditions:

1. Appropriate best management practices (BMP's) shall be properly installed and maintained to prevent the movement of sediment off-site and into adjacent drainage areas. Special care shall be taken prior to and during construction to prevent the movement of sediment into adjacent drainage areas. In the event of any BMP failure, corrective actions shall be taken immediately.

July 8, 2019

2. The Department of Environmental Quality (Department) shall be provided a copy of the final permit and associated enclosures and attachments.
3. The permittee obtaining authorization under General Permit- 32 shall obtain appropriate wastewater permits and/or approvals for the proposed activity prior to the commencement of construction activities.
4. Prior to the start of any water withdrawal activities, the permittee obtaining authorization under General Permit-32 shall obtain the appropriate water withdrawal permits from the Office of Land and Water Resources within MDEQ.
5. The turbidity outside the limits of a 750-foot mixing zone shall not exceed the ambient turbidity by more than 50 Nephelometric Turbidity Units.
6. No sewage, oil, refuse, or other pollutants shall be discharged into the watercourse.

The Office of Pollution Control also certifies that there are no limitations under Section 302 nor standards under Sections 306 and 307 of the Federal Water Pollution Control Act which are applicable to the applicant's above-described activity.

This certification is valid for the project as proposed. Any deviations without proper modifications and/or approvals may result in a violation of the 401 Water Quality Certification. If we can be of further assistance, please contact us.

Sincerely,



Krystal Rudolph, P.E., BCEE  
Chief, Environmental Permits Division

KR: bgw

cc: Mr. Brian Williamson/Mr. Jerry Bourne, U.S. Army Corps of Engineers,  
Vicksburg District  
Mr. David Felder, U.S. Fish and Wildlife Service  
Ms. Molly Martin, Environmental Protection Agency